

Cash StarTM 9320

Multi-function automated teller machine

Extra functionality, compatibility and convenience

The optimisation of cash management calls for specialist experience, resources and truly innovative technology. Across the world, Talaris' cash management solutions are trusted by thousands of organisations to ensure their cash is managed securely and efficiently whilst delivering the ultimate in productivity.

Talaris have in excess of 250 patents granted across 26 countries and are world experts in optimal cash handling solutions. 2,300 Talaris professionals, including over 1,000 service and support staff and 130 business partners cover over 100 countries delivering these solutions - wherever money moves.

Cash Star 9320 provides the perfect cash dispense solution for any indoor or outdoor location.

Requiring a small footprint and conforming to different through-the-wall tunnel dimensions, Cash Star 9320 can efficiently deliver a wide range of options and services.

Cash dispensing, envelope deposits, passbook and A4 statement printing are some of the features supported to fulfill modern self-banking requirements.

Developed and manufactured to the highest quality and security standards and benefiting from the latest technological innovations, this compact ATM is in fact the perfect choice to modernise any ATM network.



Improves customer service

Routine banking operations are fully automated, freeing up tellers to concentrate on customer's needs and added-value activities.

Designed to optimise the migration of high volume, low commercial value transactions from teller to the self-service channel, Cash Star 9320 improves branch efficiency and increases customer satisfaction.

Flexibility

Enables a choice of self-service operations to be offered to your customers. The Cash Star 9320 is completely compatible with other ATM branded models, so therefore can be quickly and efficiently integrated into any branch network.

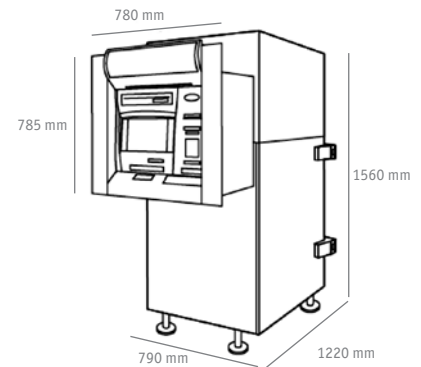
Security

Talaris offers advanced security features to ensure ATM transactions are performed within a secure environment.

Biometrics technology

Cash Star 9320 utilises a unique authentication method based on optical biometric fingerprint technology, allowing fast capture of quality fingerprint images for identification of customers at the ATM.

This single platform device analyses an individual's unique fingerprint, to identify and authorise the user to have access to their account and perform transactions without the need to enter a PIN. This method can prevent skimming scams and improves customer confidence.



Weight: 780 kg (two denominations)

Product specification

Note dispenser	Bundle delivery of up to 100 notes Note feeding through friction process Up to 4 cassettes Up to 3000 notes per cassette	Service interfaces	Supervision module Journal Printer Rear load
Display	12.1" LCD colour display Anti-glare filter Vandal proof protection in laminated glass Function display keys or optional touch screen	Installation	Through the wall Indoor and outdoor installation Easy and fast access to all peripherals inside the equipment
Encrypting PIN pad	VISA-PCI certified	Power supply	230 ± 10% V AC (@ 50Hz) 2.5 A max. power consumption UPS
Card reader	Magnetic stripe and chip cards support EMV 4.0 certification Optional anti-fraud features (anti-skimming and/or anti-phishing)	Dimensions (H x W x D)	1560 x 790 x 1220 mm Fascia (WxH): 780 x 785 mm Wall aperture (WxH): 610 x 620 mm
Receipt printer	Direct thermal printing method	Weight	780 kg (2 denominations & UL safe)
Banners and signage	LED bar for service banner Activity light indicators for the different peripherals (green) Integrated adverts panel	Biometric Fingerprint Sensor	Optical fingerprint scanner Resolution: 500 dpi at 8-bit greyscale (256 levels of gray, 416 x 416 pixels) Authentication: <1.0 seconds Identification: <1.0 seconds
Connectivity	Ethernet, X.25	Options	Sunlight viewable display (high bright) Privacy filters Portrait security camera Loudspeakers Headset audio jack ATM's colour customisation Bar code reader Touch screen A4 statement printer or Passbook printer Envelope deposits Support for 6 denominations
Operating system	Windows® platform		
Peripheral interface software	XFS Service Providers		
Physical security	UL 291-Level 1 and CEN safes Support for several locks (key, mechanical, electronic) Seismic sensor Door-open, bolt sensors Support for ink-dye solutions		

Talaris House
Crockford Lane
Chineham Business Park
Basingstoke, Hampshire
RG24 8QZ, UK

T +44 (0)1256 368000
F +44 (0)1256 368001
info@uk.talaris.com
www.talaris.com



DS-CASHSTAR9320-0509