

Cash StarTM 5110-cash

Self-service payment terminal

All about payments

The optimisation of cash management calls for specialist experience, resources and truly innovative technology. Across the world, Talaris' cash management solutions are trusted by thousands of organisations to ensure their cash is managed securely and efficiently whilst delivering the ultimate in productivity.

Talaris have in excess of 250 patents granted across 26 countries and are world experts in optimal cash handling solutions. 2,300 Talaris professionals, including over 1,000 service and support staff and 130 business partners cover over 100 countries delivering these solutions - wherever money moves.

The Cash Star 5110-cash is a terminal for the payment of bills and other items in a self-service application.

Bank customers are able to pay utility bills, taxes, invoices and top-up their mobile phone credit, with this compact payment terminal.

Equipped with a magnetic and chip card reader, banknote and coin acceptor, customers can make payments via a variety of methods. With its small footprint, the Cash Star 5110-cash terminal is perfect for installation in a self-service lobby area.



This fully featured payment terminal can accept numerous payment types; banknotes, coins, credit and debit cards. The addition of an in-built barcode reader enables bills and account information to be automatically recognised, making the Cash Star 5110-cash a truly versatile self-service payment terminal.

Extra flexibility

Customers are offered an alternative channel to make bill payments.

Customer convenience

Customers can pay bills whenever they want, without having to go to the bank during business hours.

Improves customer service

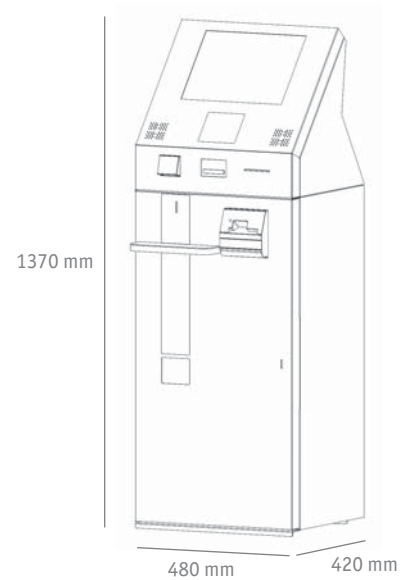
By moving routine bill payments transactions to a self-service device, tellers can spend more time on customer service and more value-added activities.

Revenue opportunities

Use the attractive multimedia user interface to advertise additional services offered by the bank or other companies.

Image and design

The Cash Star 5110-cash offers a fresh and attractive design, making it eye-catching and able to blend into a modern banking environment. The unit is compatible with common market standards, is easy to install and takes up minimal floor space.



Weight: 90 kg

Product specification

Cash acceptor/validator	Single banknote acceptance Recognition of 6 banknote types, with 4-way insertion Cassette capacity up to 2000 notes Cassette provided with a key lock Coin acceptor with change dispenser Optional escrow with up to 15 banknotes capacity Other cash acceptor/validator configurations are available	Receipt printer	Direct thermal printing method
Display	15.1" colour TFT LCD display Function keys or optional touch screen	Connectivity	Ethernet, X.25
Encrypting PIN pad	16-keys vandal proof Encrypting PIN Pad DES and Triple-DES hardware-encoded encryption algorithms VISA-PCI certified	Operating system	Windows® platform
Card reader	Magnetic stripe and chip cards support EMV 4.0 certification Optional anti-fraud features (anti-skimming and/or anti-phishing) Card return on power failure Card capture	Peripheral interface software	XFS Service Providers
		Power supply	230 ± 5% V AC (@ 50Hz) 2.5 A max. power consumption UPS
		Installation	Stand-alone (lobby), front service floor-fastened
		Options	Extra cassette for cash acceptor Uninterruptible power supply Journal printer Bar code reader Multimedia

Talaris House
Crockford Lane
Chineham Business Park
Basingstoke, Hampshire
RG24 8QZ, UK

T +44 (0)1256 368000
F +44 (0)1256 368001
info@uk.talaris.com
www.talaris.com

talarisTM
A former De La Rue company

DS-CASHSTAR5110-0509

This document is for general guidance only. Talaris Limited is pleased to give detailed specifications of its products in this document. As the Company's products and services are continually being developed it is important for customers to check that the information contained herein includes the latest particulars. Although every precaution has been taken in preparation of this document, the publisher assumes no responsibility for errors or omissions. Neither is any liability assumed for damages resulting from the use of the information contained herein. This document is not part of a contract or licence save insofar as may be expressly agreed. All capacities and throughput figures are subject to note size, note quality and process used. Talaris and Cash Star are trademarks of Talaris Holdings Limited. © Talaris Limited 2009.