

MDDM

Multi-denomination dispensing mechanism

Modular solutions for full function self-service automation

The optimisation of cash management calls for specialist experience, resources and truly innovative technology. Across the world, Talaris' cash management solutions are trusted by thousands of organisations to ensure their cash is managed securely and efficiently whilst delivering the ultimate in productivity.

Talaris have in excess of 250 patents granted across 26 countries and are world experts in optimal cash handling solutions. 2,300 Talaris professionals, including over 1,000 service and support staff and 130 business partners cover over 100 countries delivering these solutions - wherever money moves.

The Multi-Denomination Dispensing Mechanism MDDM is a friction feed mechanism in a horizontal configuration. It is a world leading dispenser for full function ATMs and other self-service applications. The MDDM is a modular mechanism allowing for flexible mechanical integration with a cassette capacity of up to 2000 notes. No planned maintenance is necessary, other than occasional cleaning which means that your machine is available for longer.

The MDDM offers the following key benefits:

- Bundle delivery of notes
- Top delivery system
- Tamperproof cassettes
- One to six denominations



Central to the MDDM is IDD™ Intelligent Double Detection which is unique to Talaris.

Intelligent Double Detection

IDD delivers superb accuracy and consistent detection of doubles even when notes are severely degraded. With IDD, no mechanical adjustments or intervention are required which means that it is ready to use as soon as it is out of the box.

Cassettes

The MDDM cassettes provide outstanding functionality as follows:

- Tamperproof cassettes which interlock both mechanically and electronically, allowing for service access without the need to remove cassettes from your machine
- Flexibility to switch cassette positions within your dispenser or change feed order (cassette position or note size order)
- Ability to allocate a currency and a denomination to a cassette

Cassettes are available in three versions: with an electronic lock, with a key lock or without a lock.

Loading frame

The loading frame is used for convenient and correct loading of banknotes in the feed cassettes. Electronically locked cassettes can only be opened with the loading frame, which provides a high degree of security.

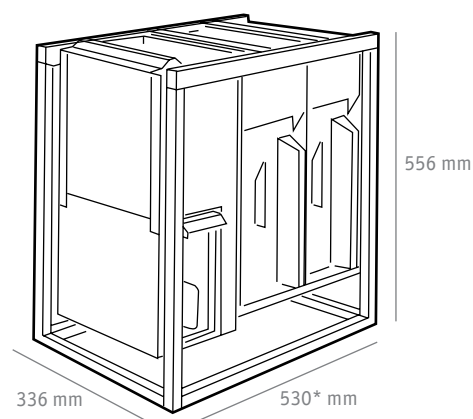
The MDDM is designed in accordance with the recommendations of leading international Standards Organisations such as RoHS, UL and CE to allow for final approval when installed in complete systems.

Talaris Technology

Talaris' unique technology sets new industry standards



Offers unbeatable accuracy and consistent detection of doubles even with severely degraded notes. No mechanical adjustments or intervention necessary.



* depth shown for 2 denominations, for each additional denomination add 147 mm

Product specification

Speed range	8 notes per second	Operating environment	Temperature: 10 - 40°C, 32 - 104°F Relative humidity: 20 - 80% non-condensing
Document size range	Width: 55 - 97 mm Length: 110 - 181 mm Thickness: 0.06 - 0.18 mm	Dimensions (H x W x D)	556 x 336 x 530* mm *depth shown for 2 denominations, for each additional denomination add 147 mm
Maximum transaction size	40 ATM fit notes	Weight (without notes)	2 denominations: 50 kg/110.2 lbs
Capacity	230 mm or up to 2000 banknotes	Manufacturing standards and approvals	RoHS, UL, CE
Connectivity	RS232C connection as standard		
Power supply	100 - 240V AC, 50/60 Hz, 3A		

Talaris House
Crockford Lane
Chineham Business Park
Basingstoke, Hampshire
RG24 8QZ, UK

T +44 (0)1256 368000
F +44 (0)1256 368002
info@uk.talaris.com
www.talaris.com

